

»SHERPA« D FAMILY TECHNICAL DATA



	»SHERPA« D4	»SHERPA« D6	»SHERPA« D8
TOTAL VEHICLE WEIGHT	4 t	6 t	8 t
55kW DEUTZ ENGINE	•	^[1] •	^[1] •
75kW DEUTZ ENGINE	•	^[1] •	^[1] •
DRAWBAR PULL	25 kN	35 kN	45 kN



The actual range of applications of the »SHERPA« is checked by Goldhofer prior to order confirmation.

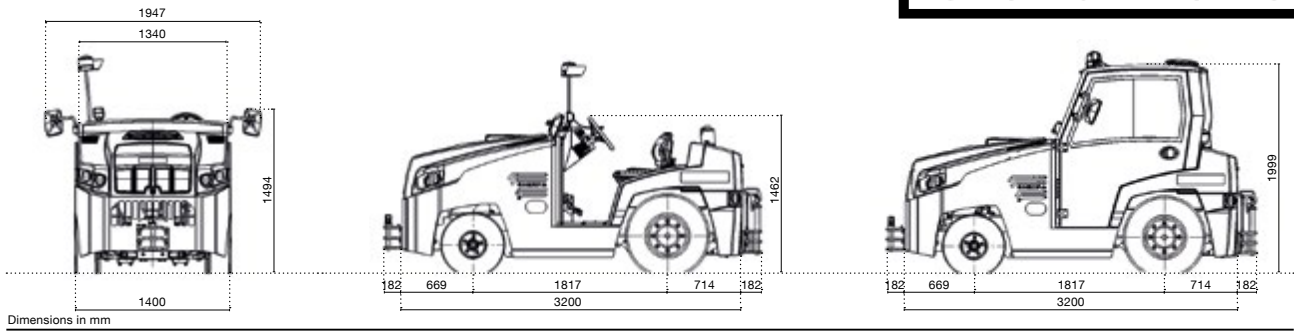
»SHERPA« FAMILY | 09/2023-EN | METRIC

^[1] Suitable for pushbacks







FIND OUT MORE
»SHERPA« FAMILY

MADE FOR YOUR MISSION



Dimensions in mm

	55 kW DEUTZ ENGINE	75 kW DEUTZ ENGINE
 TOWED LOAD MAX.	≤ 55 t	≤ 80 t
EMISSION STANDARD	EU Stage IIIA US TIER 3 EU Stage V US TIER 4F	EU Stage IIIA US TIER 3 EU Stage V US TIER 4F
AIRCRAFT MTOW MAX.	up to ^[2] 50 t	up to ^[2] 50 t
 TURNING RADIUS	+ 3,950 mm	
TRANSMISSION	+ 3 gears forward/1 reverse	+ Dana automatic full-power shift transmission with integrated torque converter
AXLES	+ Steering axle, front + Suspension on front + rear axle	+ Rear drive axle: Kessler with planetary drives in the wheel hubs
STEERING SYSTEM	+ Front steering	+ Hydraulic steering system
TIRES	+ Front 6.50 R10	+ Rear 7.5 R15 or 215/75 R17.5
BRAKES	+ Fully hydraulic 2-circuit safety disk brakes + 1-circuit failsafe parking brake	+ Automatic release and closing of parking brake
 CABLESS BASIC CABIN	+ Comfortable driver's and passenger's seat with safety belts + Adjustable steering column	+ Multi function display + Hazard lights + Emergency stop at driver's place
OPEN CAB OPTION	+ Top with big front windshield + Wiper-washer system for front	+ Interior light and mirror
CLOSED CAB OPTION	+ Top with big front and rear windshield + Lockable doors with sliding windows + Heated rear window with screen wiper	+ Ventilation/heating + Wiper-washer system for front and rear windshield
 OPTIONS EXAMPLES	+ Auxiliary vehicle heater ^[3] + Rear window protected (grid) ^[3] + Rotating beacon + Trailer power supply (24 V) + Jumpstart/Jump start socket + Front e-type standard tow hitch	+ Rear remote operated e-type tow hitch + Inching control at the left rear of the tractor + Rockinger rear-coupling (244) + And many more

GOLDHOFER AKTIENGESELLSCHAFT

Donaustrasse 95, 87700 Memmingen/Germany
Web: www.goldhofer.com, E-Mail: info@goldhofer.com

SALES

Telephone: +49 8331 15-343,
E-Mail: sales-airporttechnology@goldhofer.com

SERVICE AND SPARE PARTS

Telephone: +49 8331 962 99 99, Fax: +49 8331 15-247
E-Mail: service-airporttechnology@goldhofer.com

^[2] Depending on friction coefficient and »SHERPA« weight

^[3] Only for closed cabin version